

REMOVE RESISTOR	TAM 9/16/93	5
DESCRIPTION	APP'D./DATE	REV

SAFETY ORGANIZATION(S):

THIS FILTER HAS BEEN FORMALLY RECOGNIZED, CERTIFIED OR APPROVED BY THE LISTED AGENCY. THEREFORE, ALL TEST/REQUIREMENTS SPECIFIED IN THE LATEST REVISION OF THE FOLLOWING AGENCY STANDARDS HAVE BEEN MET:

UL RECOGNIZED
 CSA CERTIFIED
 UL 498
 CSA 22.2, NO.0,0.4,8

OPERATING SPECIFICATIONS:

LINE VOLTAGE/CURRENT: 6 AMP., 120/250 VAC
 LINE FREQUENCY: 50-60Hz
 MAX. LEAKAGE CURRENT, EACH LINE TO GROUND: .25 mA @ 120VAC 60 Hz
 .50 mA @ 250VAC 50 Hz
 OPERATING VOLTAGES: 100, 120, 220, 240 VAC
 115, 230 VAC

OPERATING AMBIENT TEMP. RANGE:

-10°C TO +40°C @ RATED CURRENT, I_r
 IN AN AMBIENT, T_a, HIGHER THAN 40°C, THE MAXIMUM OPERATING CURRENT, I_o, IS AS FOLLOWS:

$$I_o = I_r \sqrt{\frac{85 - T_a}{45}}$$

RELIABILITY SPECIFICATIONS:

STORAGE TEMPERATURE: -40°C TO +85°C
 HUMIDITY: 21 DAYS @ 40°C 95% RH
 CURRENT OVERLOAD TEST: 6 TIMES RATED CURRENT FOR 8 SECONDS

TEST SPECIFICATIONS:

INDUCTANCE: .465 mH NOMINAL
 CAPACITANCE: (MEASURED @ 1 KHz, 0.25 VAC MAX., 25°C ±1°C)
 LINE TO GROUND: .006µF ±20%
 LINE TO LINE: .011µF ±20%


LINE/GROUND AND LINE/LINE INSULATION RESISTANCE: 5000 MΩ (MIN) AT 100 VDC 20°C AND 50% RH

TOLERANCE EXCEPT AS NOTED

DECIMAL: .XXX .XX .X ANGLES ± 1°
 ENGLISH: ±.015
 METRIC: ±

MATERIAL: AS SUPPLIED

FINISH:

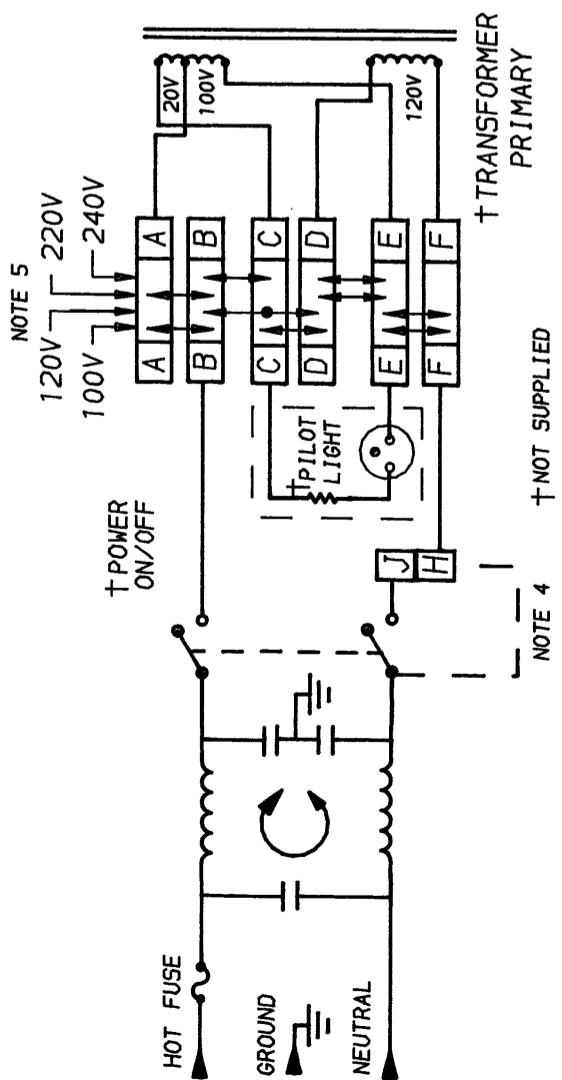
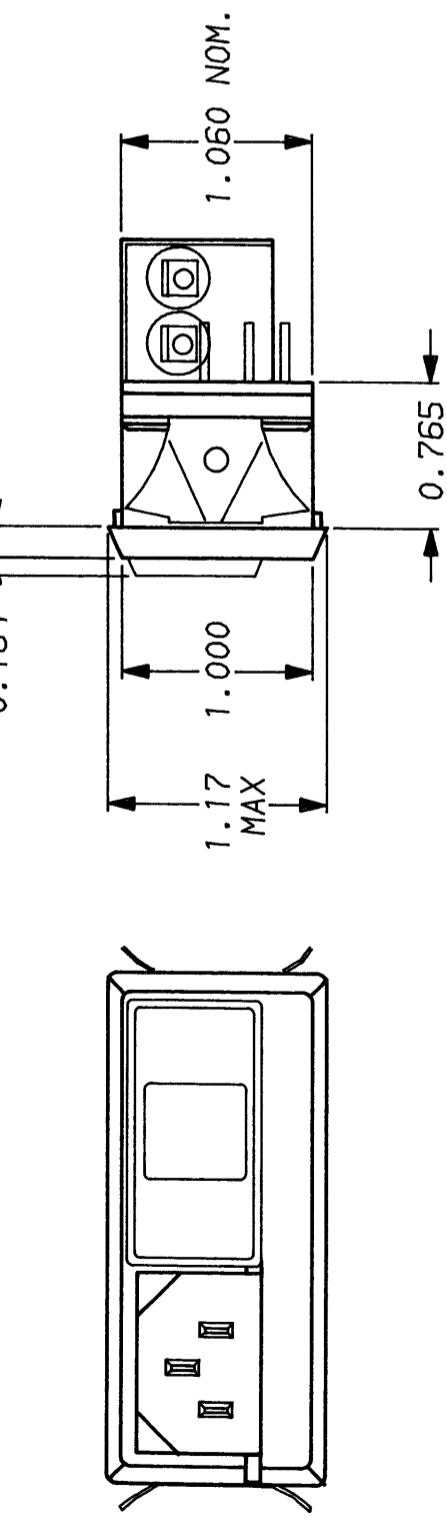
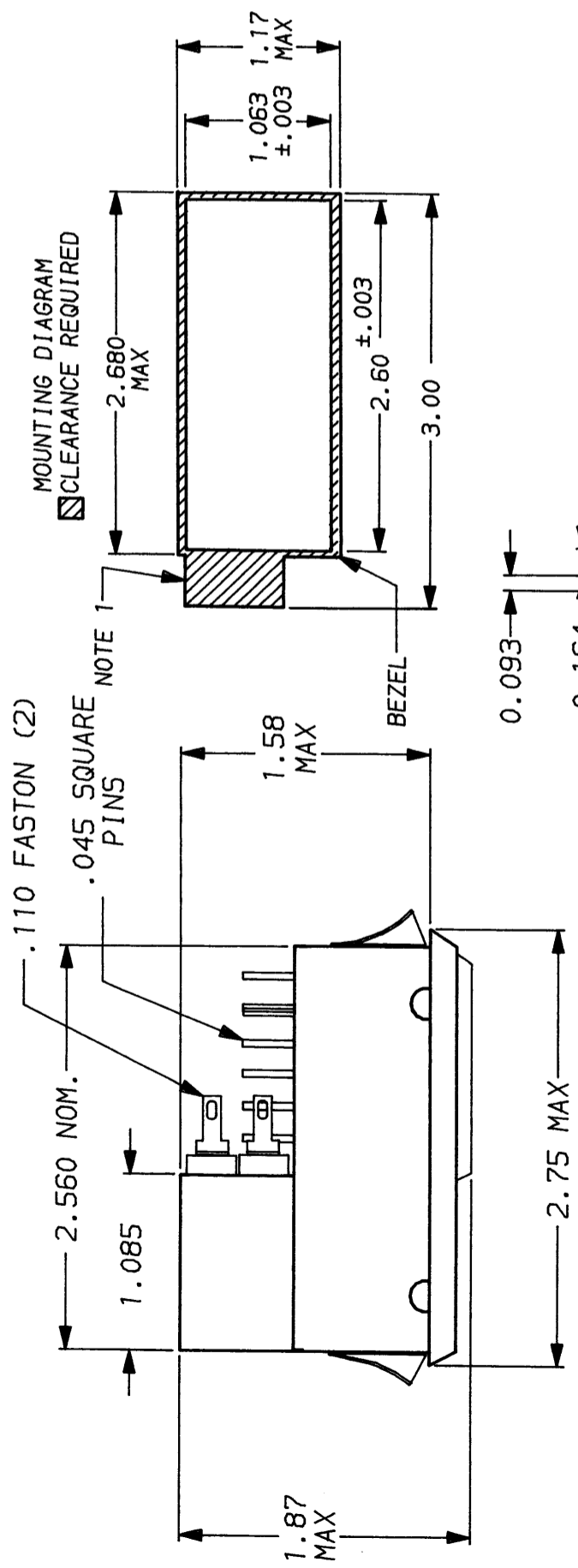


CORCOM
 LIBERTYVILLE, IL 60048

POWER LINE FILTER

SCALE	DATE	DRG. NO.	REV.
NTS	8-10-90	6J4 & 6J4-2	05
DRW. BY	ORIGINATOR		
CFW	CFW		

6J4.05



NOTES:

- FUSE COVER DOOR SHOWN IN OPEN POSITION
- STANDARD UNITS MOUNT IN PANEL THICKNESS OF .060 - .090
- SPECIAL MOUNTING CLIPS SOLD SEPARATELY FOR PANEL THICKNESSES OF .105 - .125
- JUMPER REQUIRED IF ONLY SPST POWER SWITCH IS USED.
- USE ONLY 120V AND 240V POSITIONS FOR 6J4-2

50Ω-50Ω (MINIMUM)	INSERTION LOSS						
FREQUENCY MHz	.15	.5	1.0	5.0	10	20	30
COMMON dB	9	20	27	42	45	45	48

This document is proprietary to CORCOM INC. and is not to be reproduced nor used for manufacturing purposes except on CORCOM's order or prior written consent.